



### Easy Installation

Plug & Play



### Safe

Lithium iron phosphate battery



### Certifications

CE IEC UN38.3 MSDS



### Modular

Modulair uit te breiden



### Longer Lifetime

6000 cycles, 15 jaar levensduur  
10 jaar Garantie

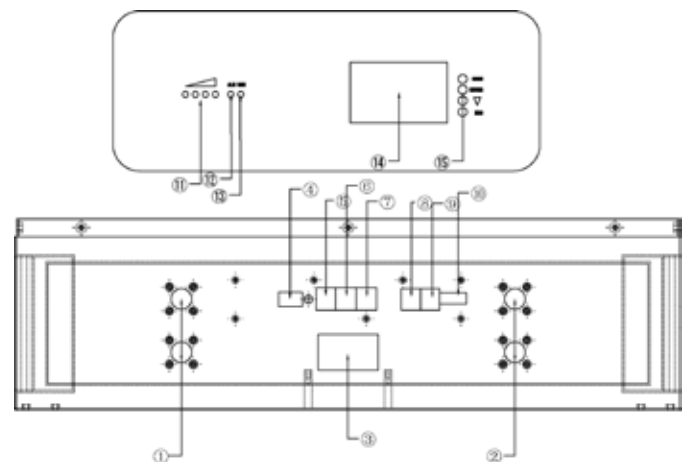
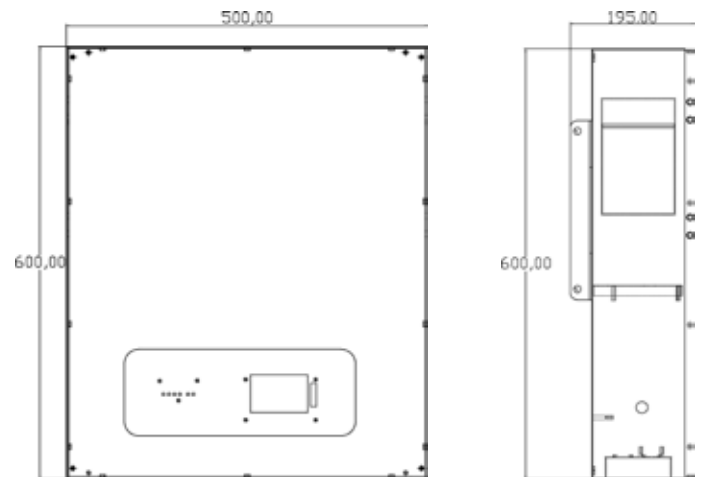
## 5KW LiFePO4 Wall Pack

Geschikt voor hybride omvormers van o.a.

- Growatt
- Victron Energy
- Pylontech
- Luxpower
- SMA
- RENAC
- Phocos
- Goodwe

**Odipie®**

Technical Specifications	
Battery Type	LiFePO4
Nominal Voltage V	51.2V
Nominal Energy(KWH)	5.12KWh
Design Capacity	100AH
Design Years	15 Years
AC Output	
Size	600mmx500mmx165mm
Weight	50kg
Technical Parameter	
Cycle Life	≥6000 times
Operating Voltage Range	43.2V-57.6V
Charging Voltage	DC 57.6V
Charge/Discharge Current(A)	Same Port 100A
Internal Resistance	≤40 mΩ
BMS Parameters	
Self-Consumption	≤2.5W
Rated Voltage	51.2V
Balance Current	30-65(mA)
Communication Method	CAN/RS485/RS232
Information Storage	500 Strip
Limiting	10/20A(Optional)
Ambient Temperature	
Operating Temperature	-10°C-55°C
Storage Temperature	0°C-55°C
Humidity	15%-75%
Warranty	
Warranty	10 Years



- ① Battery + ② Battery - ③ Air switch ④ Address ⑤ RS232 ⑥ RS485 ⑦ CAN  
⑧ RS485A ⑨ RS485B ⑩ Dry contact ⑪ Capacity indicators ⑫ Alarm indicator  
⑬ Running indicator ⑭ LCD screen ⑮ Display Button